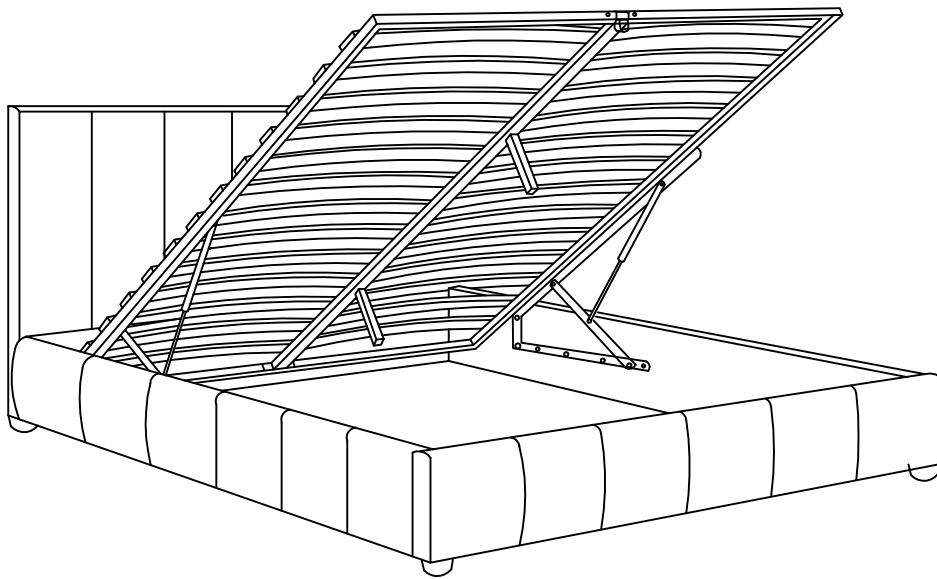
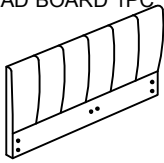
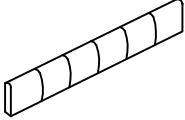
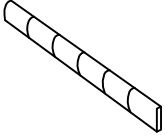
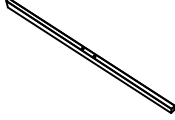





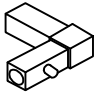
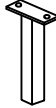
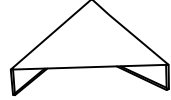
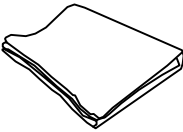
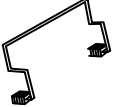

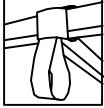


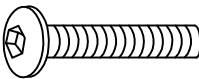
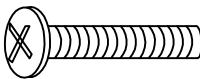





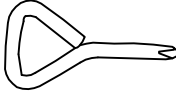

ASSEMBLY INSTRUCTIONS



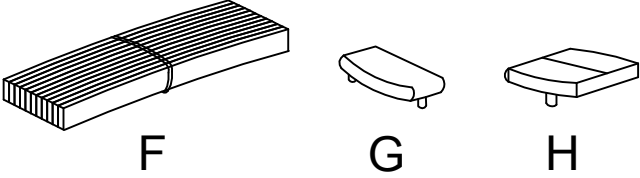
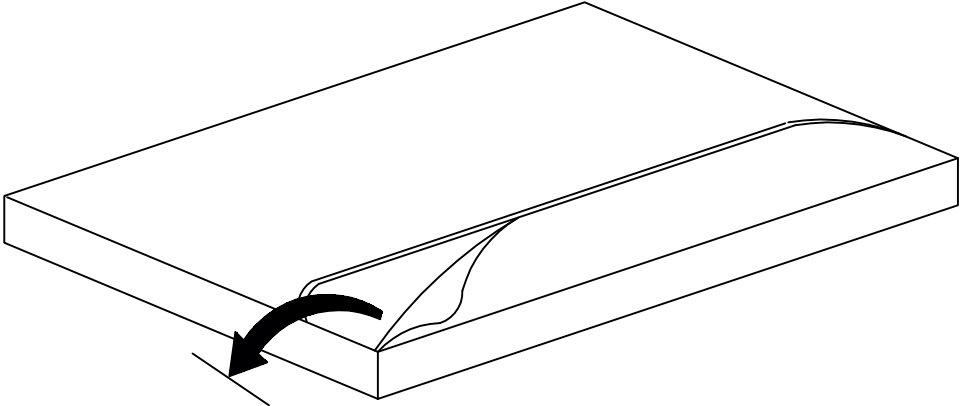
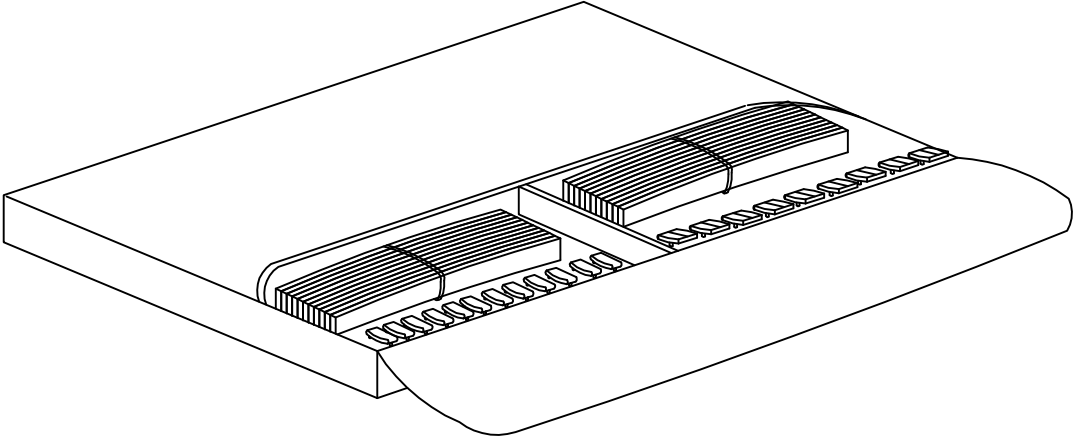
Parts List

A HEAD BOARD 1PC 	B FOOT BOARD 1PC 	C SIDE RALL 2PCS 	D BEDSTEAD RAIL 2 SETS 
E BEDSTEAD RAIL 2 SETS 	F SLAT 30 PCS 	G Single Plastic Cap 30pcs 	H Double Plastic Cap 15pcs 
I LEG 4 PCS 	J 4 PCS 	K Support Leg 2 PCS 	L 2 pcs 
M Non-woven fabrics 1pc 	N 1 PCS 	O Center Support Bar 1pc 	P Digging rope 1PC 





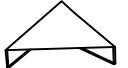
Hardware List

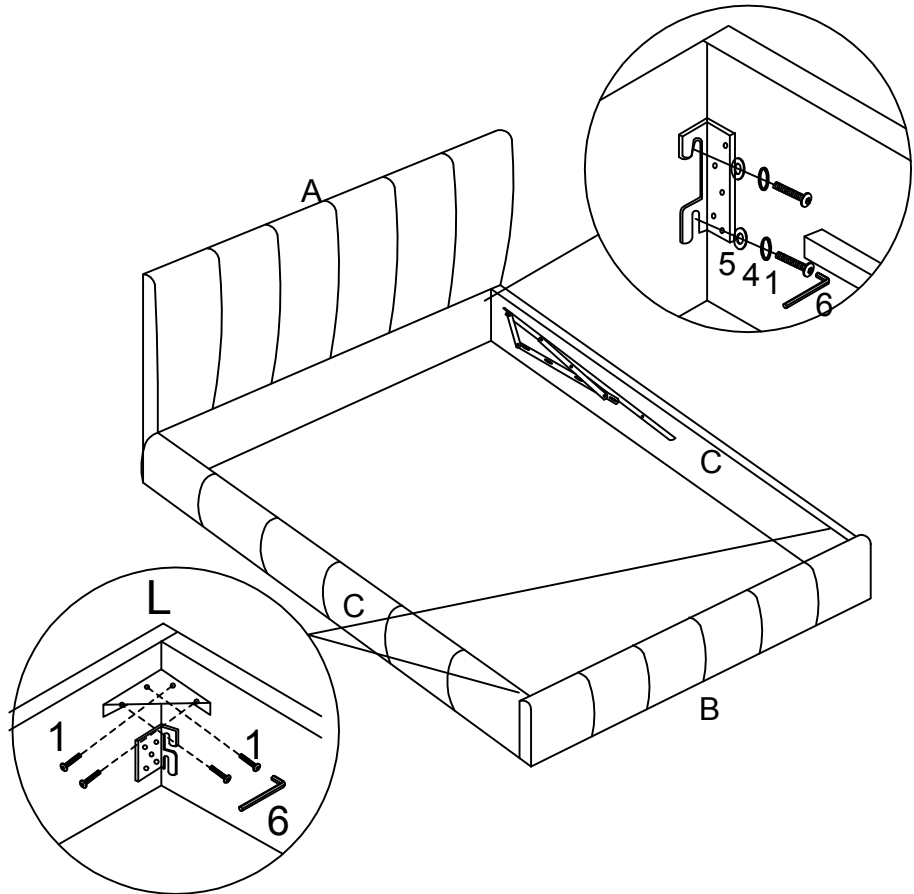
1 M8*30 x16 PCS 	2 M8*40 x 14 PCS 	3 14 pcs 	4 8 pcs 
5 8 pcs 	6 M5 x1 PC 	7 1 pcs 	8 1 pcs 
9 M4*40 x4 PCS 			

The bed slats (F) and plastic caps (G&H) are in the back of the headboard .
Please take them out before you assemble the bed .





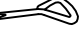


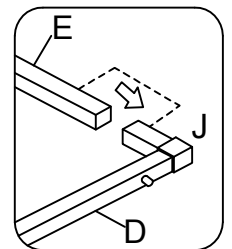
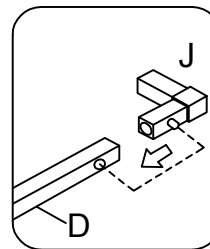
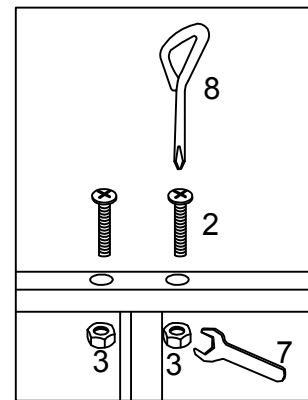
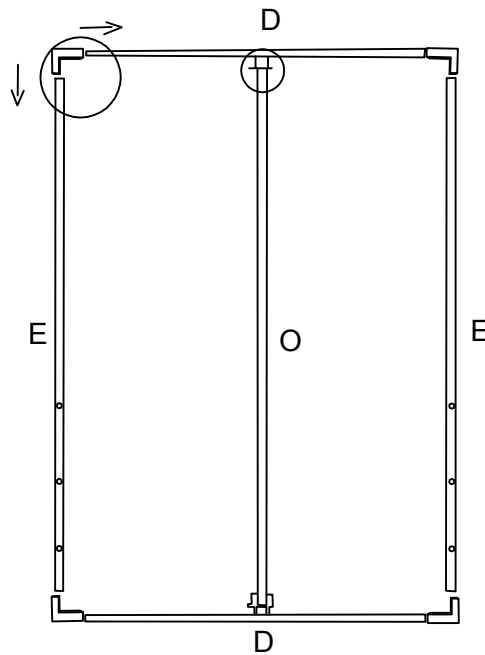
Step1

- 5  8pcs
- 4  8pcs
- 1  16pcs
- 6  1pc
- L  2pcs



Step2


- J  4 pcs
- 2  4 pcs
- 3  4 pcs
- 7  1 pc
- 8  1 pc

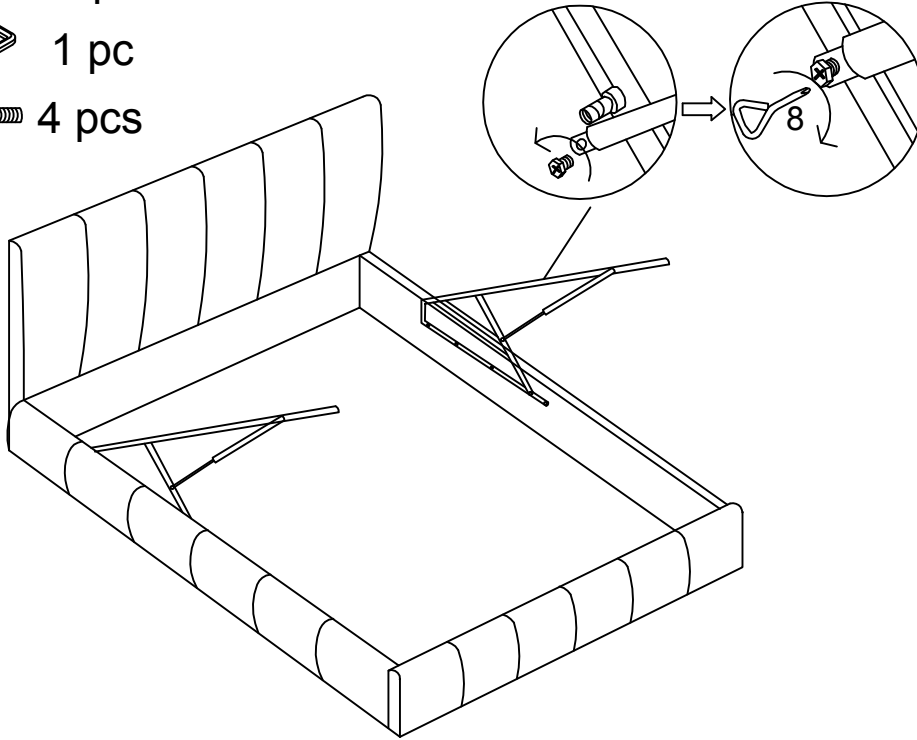


Step3


8  1 pc


6  1 pc

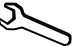
1  4 pcs



Step4

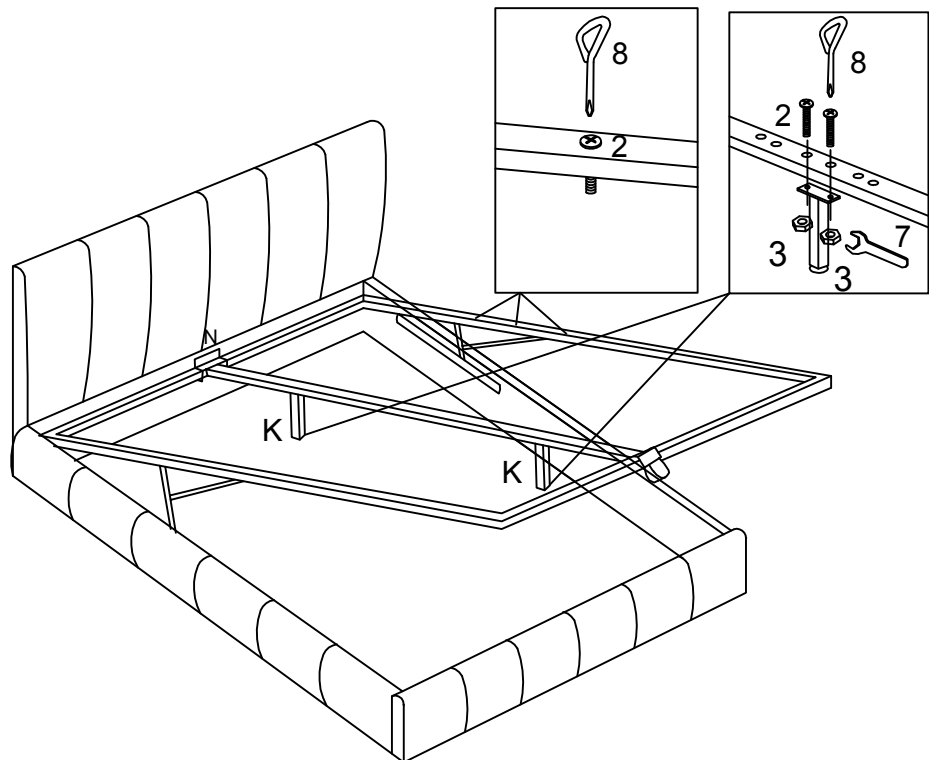
2  10 pcs

3  4 pcs

7  1 pc

8  1 pc

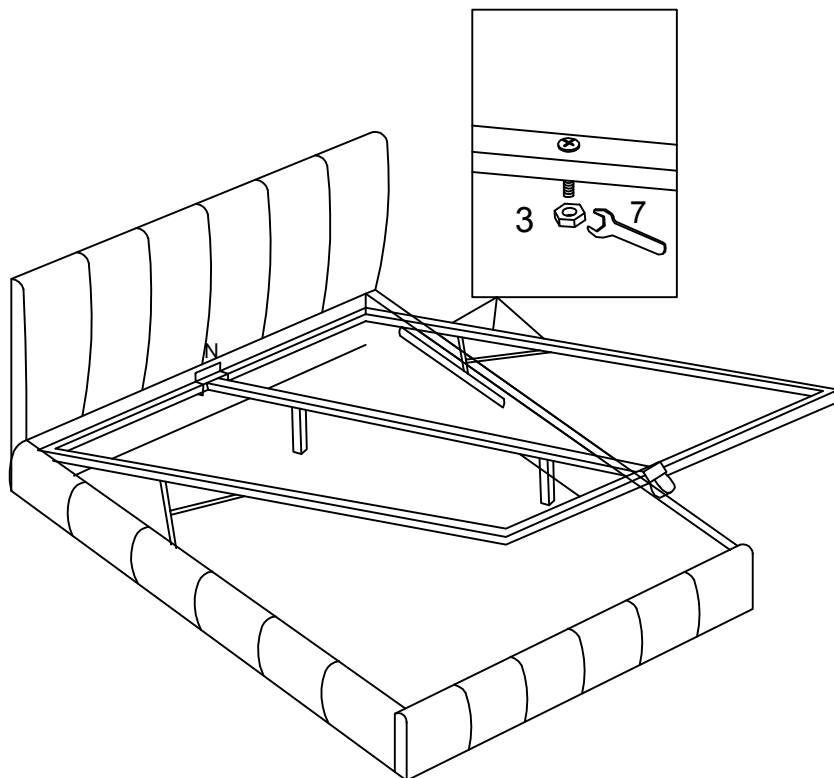
K  2 pcs



Step5

3  6 pcs

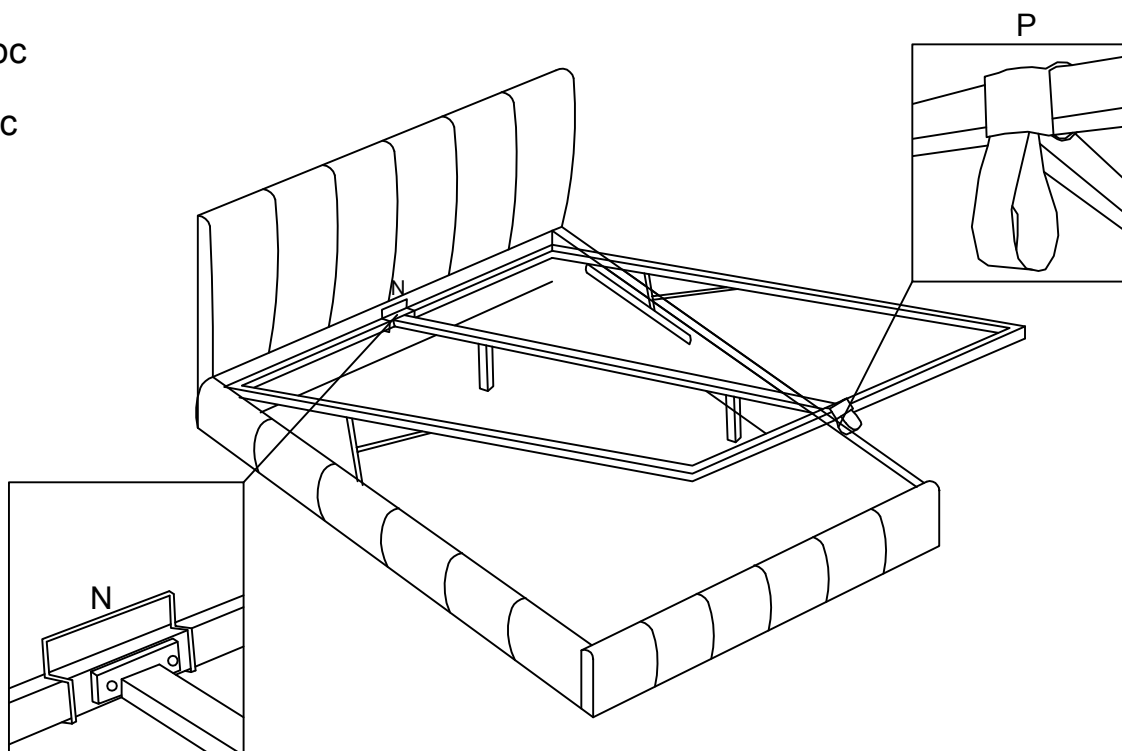
7  1 pc






Step6

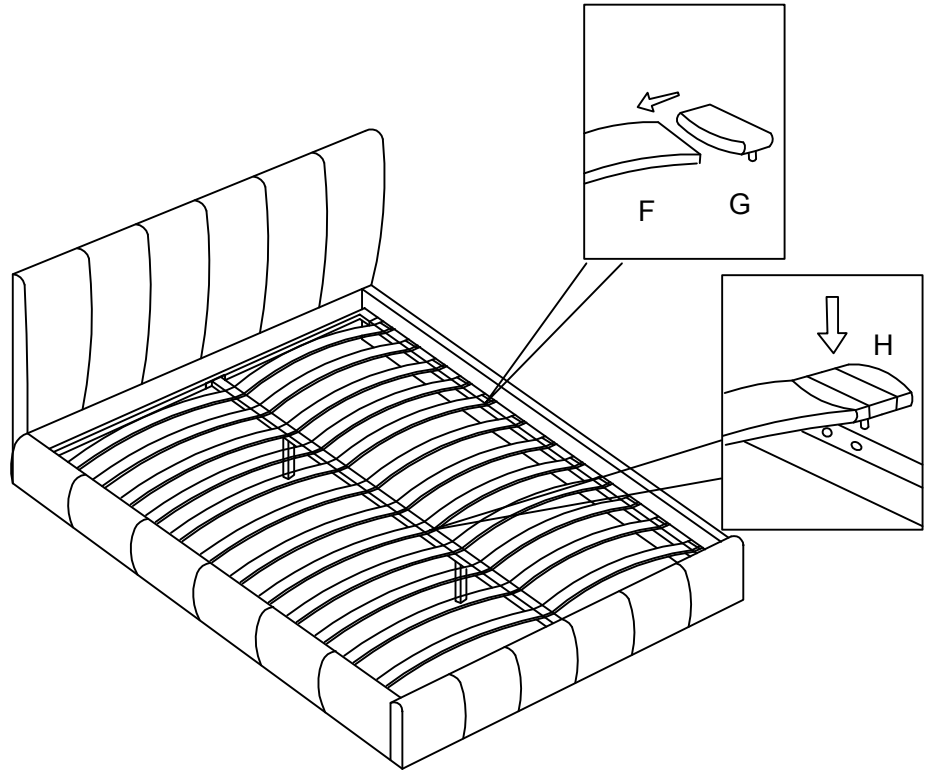
P  1 pc

N  1pc







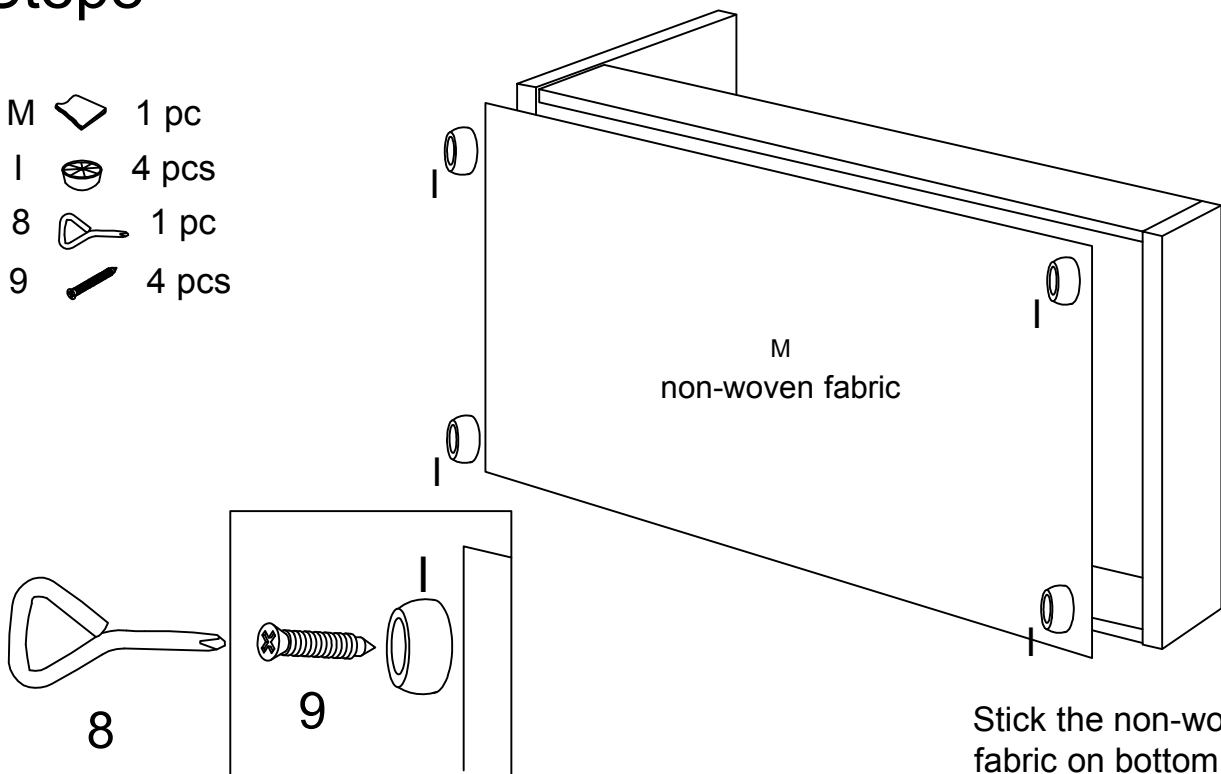
Step7

- F  30 pcs
- G  30 pcs
- H  15 pcs



Step8

- M  1 pc
- I  4 pcs
- 8  1 pc
- 9  4 pcs



X4

Stick the non-woven fabric on bottom and then assemble the 4 foot