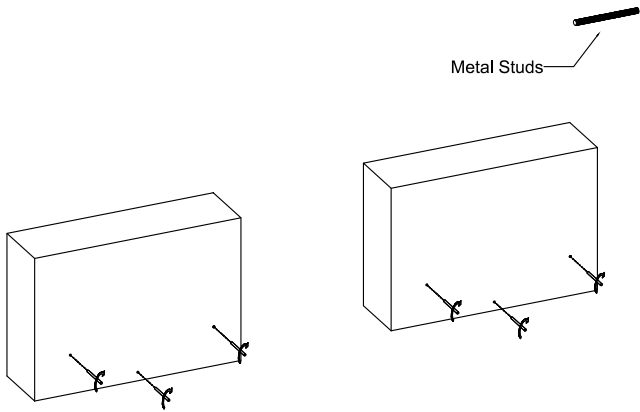
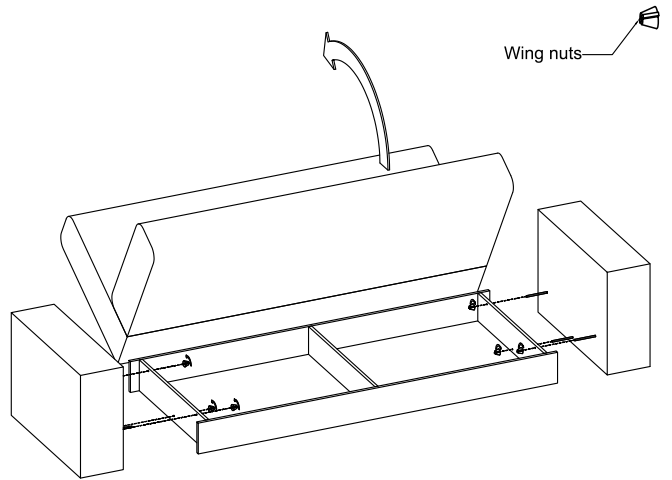


ASSEMBLY INSTRUCTION

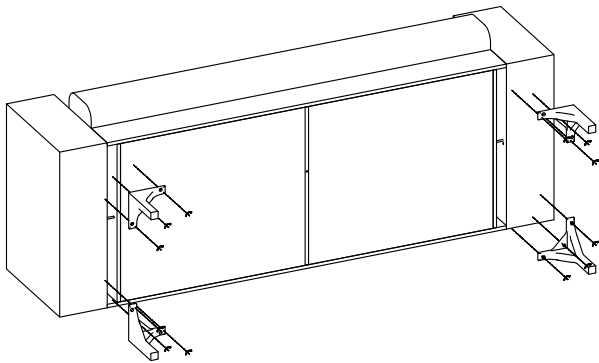
1. Turn the metal studs in the direction of the arrow.



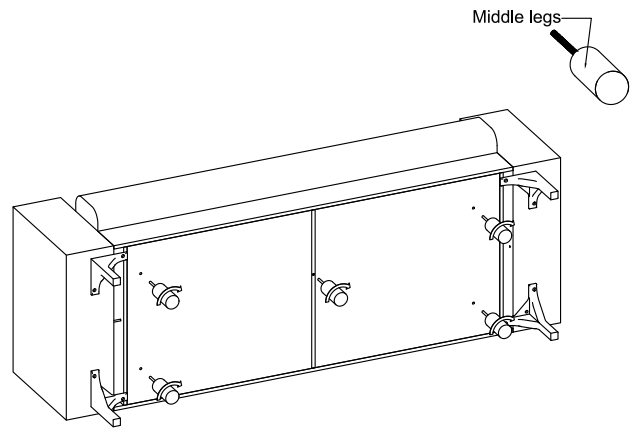
2. The sofa is opened and the arms are assembled by turning the wing nuts in the direction of the arrow.



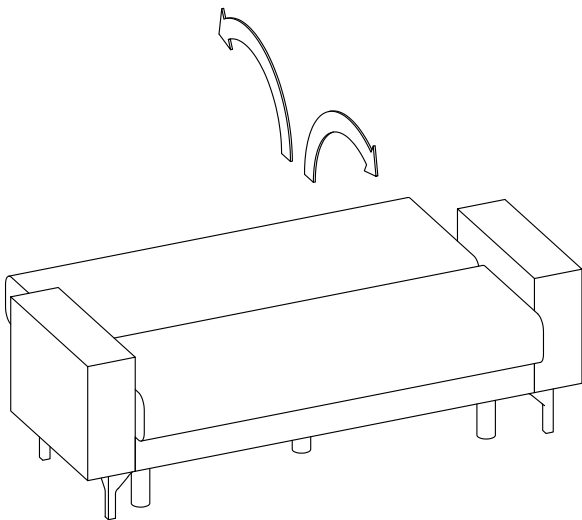
3. Assemble the corner feet with 3 screws



4. Turn the Middle legs in the direction of the arrow.



5. Bed position.



6. Turn the sofa in the direction of the arrow and your sofa is ready.

