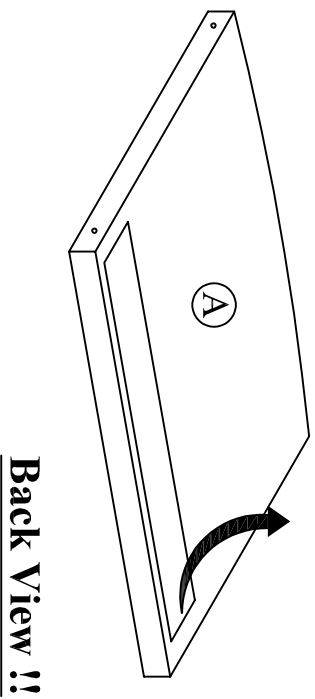


ASSEMBLY INSTRUCTION

MODEL : CF 9352-B (56")

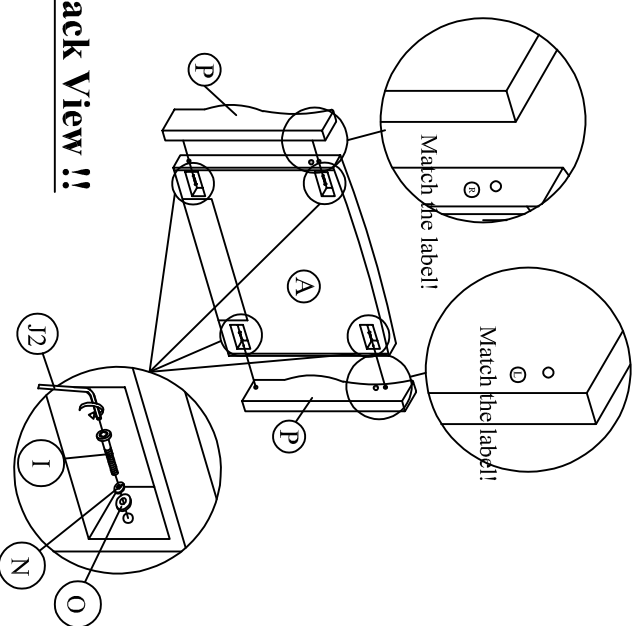
A	Headboard	1 pc
B	Footboard	1 pc
C	Side Rail	2 pcs
D	Legs Wooden Leg 48 Sticker 65 x 65 x 100(II)	2 pcs
E	Center Rail 2000mm	1 pc
F	Support Leg 195mm	2 pcs
G	14 Pcs Slat 1597mm	1 pc
H	JCBC M6 X 40	2 pcs
I	JCBC M6 X 50	4 pcs
J	J1 M5 x 70mm J2 M4 x 65mm	1 pc
K	CSK M4 x 25mm	2 pcs
L	CSK M4 x 32mm	31 pcs
M	Small Adjuster	2 pcs
N	M6 Spring Washer	4 pcs
O	M6 Flat Washer	4 pcs
P	Side Wing	2 pcs
Q	JCBB M8 X 20	8 pcs

Step 1 : Take out side wing (P) from the back headboard (A) as shown.

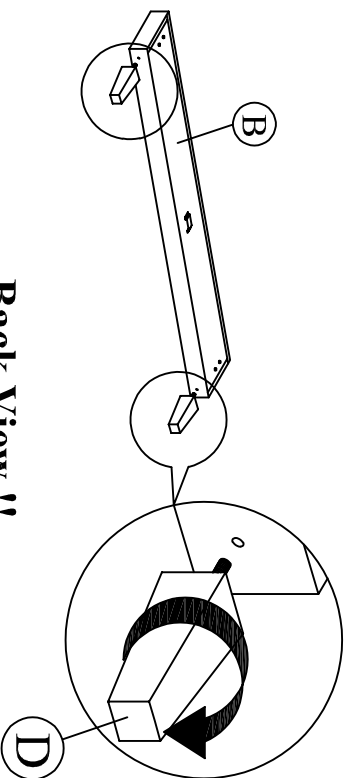


Back View !!

Step 2 : Tighten the side wing (P) to headboard (A) as shown.

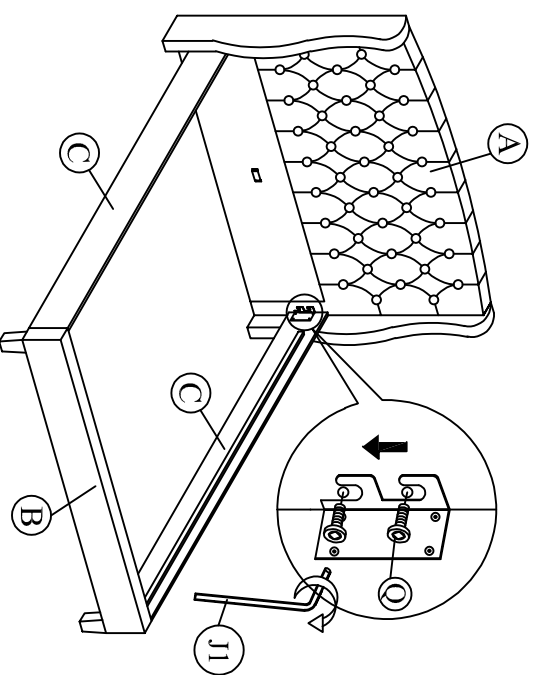


Step 3 : Install the legs (D) to footboard (B) and headboard (A).

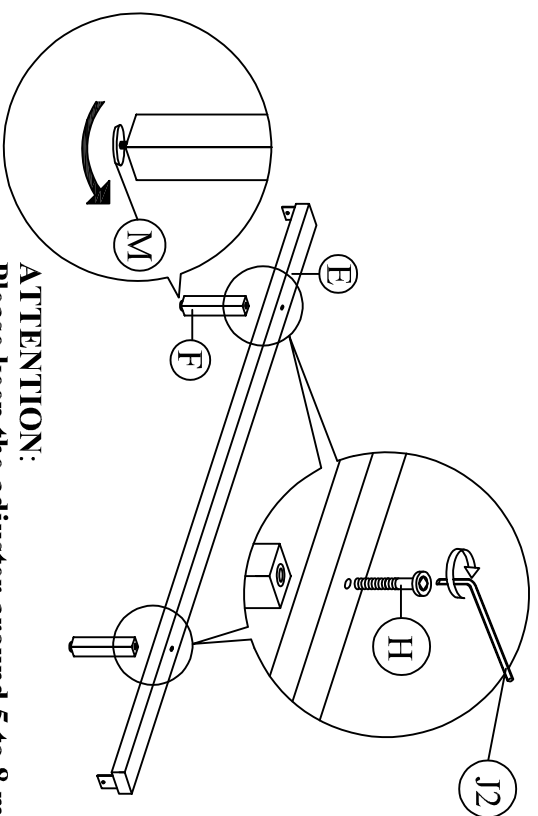


Back View !!

Step 4 : Attach side rail (C) to footboard (B) and headboard (A) by pushing the bracket down to fit it.

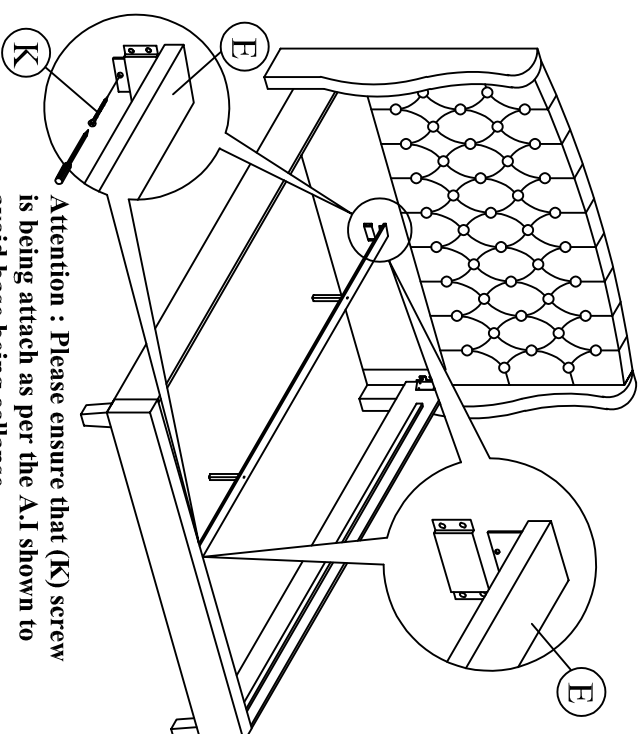


Step 5 : Attach the support legs (F) to the center rail (E) of the bed as shown.



ATTENTION:
Please keep the adjuster around 5 to 8 mm distant away from the floor.

Step 6 : Slide the center rail (E) to the headboard (A) and footboard (B). Tighten screws (K) using screw driver (not included) to the headboard (A) and footboard (B).



Attention : Please ensure that (K) screw is being attach as per the A.I shown to avoid base being collapse.

Step 7 : Affix the Slat (G) to the side rail support wood and the center rail (E). Tighten all the 4 corner.

