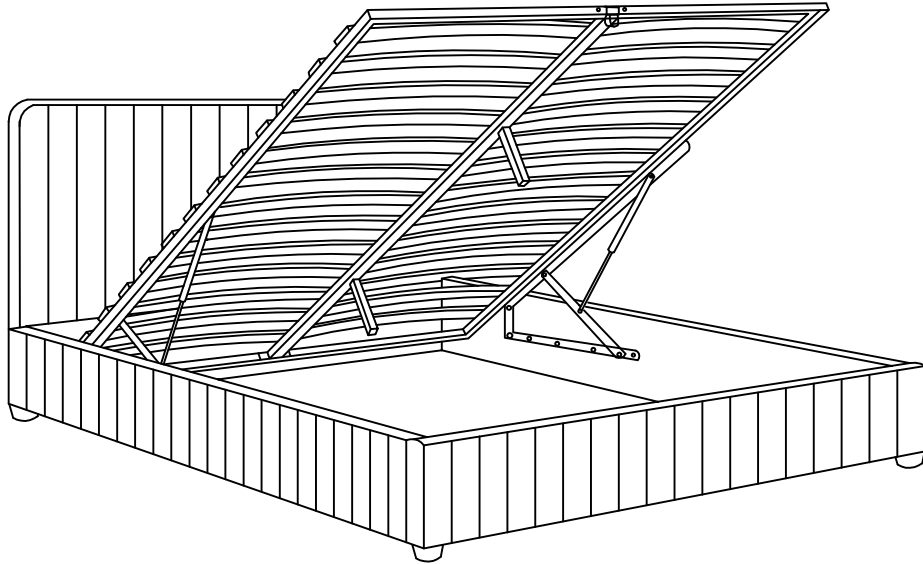
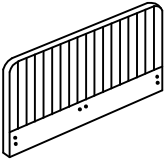
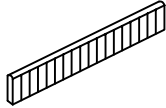
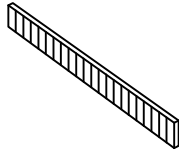
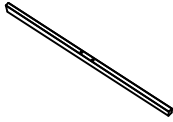




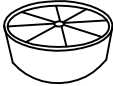

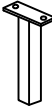
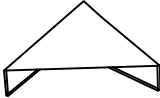
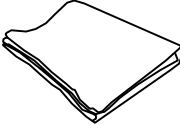
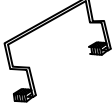

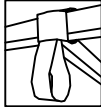


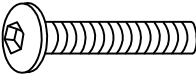
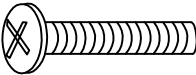
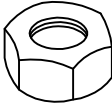



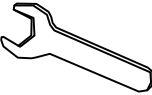
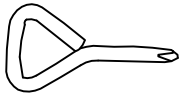

# ASSEMBLY INSTRUCTIONS



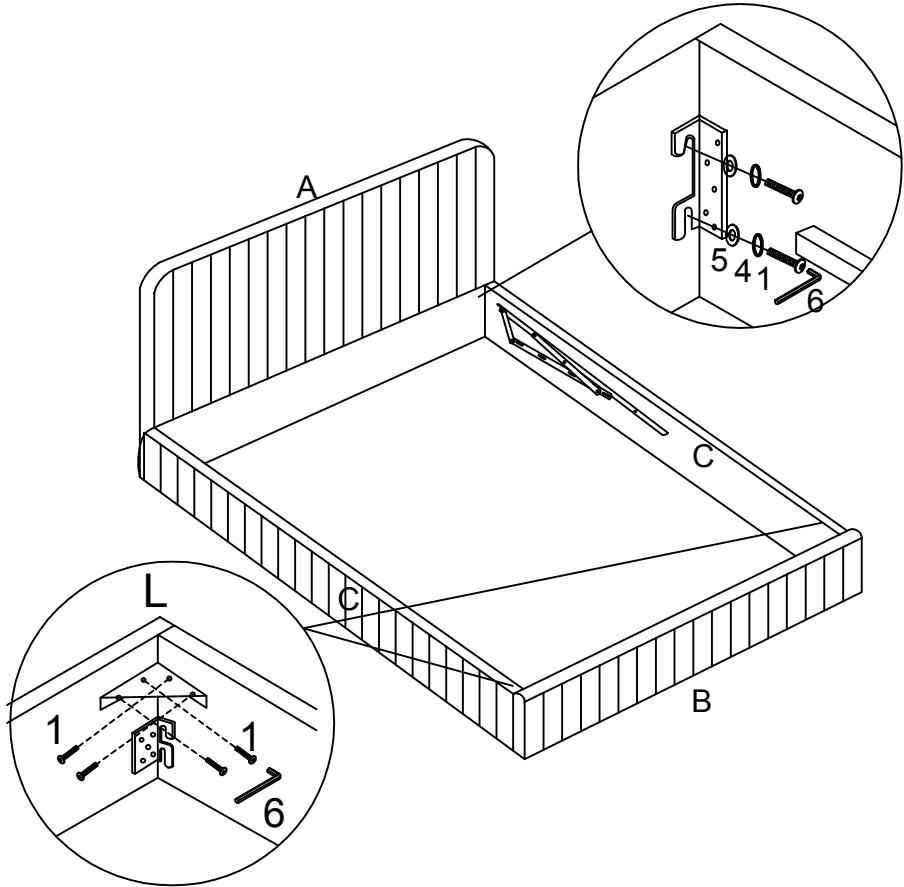
# Parts List

<b>A</b> HEAD BOARD 1PC 	<b>B</b> FOOT BOARD 1PC 	<b>C</b> SIDE RAIL 2PCS 	<b>D</b> BEDSTEAD RAIL 2 SETS 
<b>E</b> BEDSTEAD RAIL 2 SETS 	<b>F</b> SLAT 30 PCS 	<b>G</b> Single Plastic Cap 30pcs 	<b>H</b> Double Plastic Cap 15pcs 
<b>I</b> LEG 4 PCS 	<b>J</b> 4 PCS 	<b>K</b> Support Leg 2 PCS 	<b>L</b> 2 pcs 
<b>M</b> Non-woven fabrics 1pc 	<b>N</b> 1 PCS 	<b>O</b> Center Support Bar 1pc 	<b>P</b> Digging rope 1PC 

# Hardware List

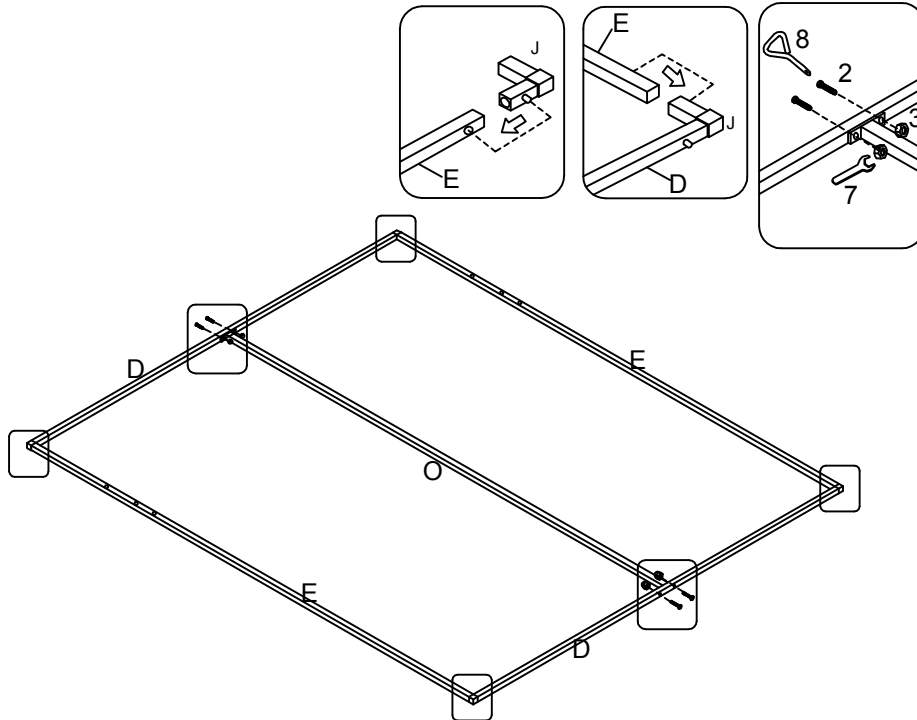
<b>1</b> M8*30 x16 PCS 	<b>2</b> M8*40 x 14 PCS 	<b>3</b> 14 pcs 	<b>4</b> 8 pcs 
<b>5</b> 8 pcs 	<b>6</b> M5 x1 PC 	<b>7</b> 1 pcs 	<b>8</b> 1 pcs 
<b>9</b> M4*40 x4 PCS 			

# Step1



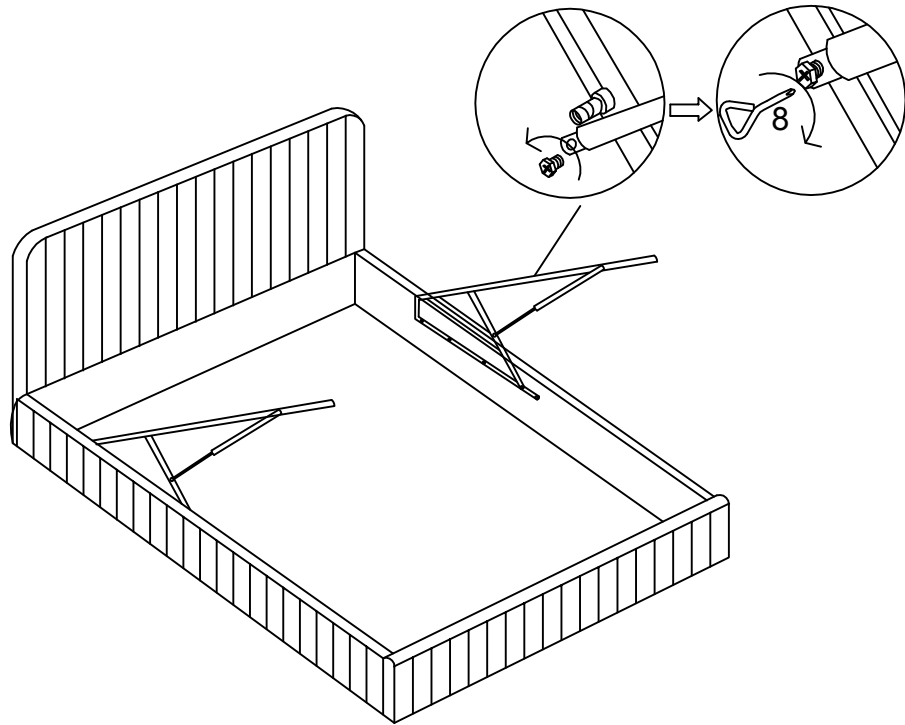
5.x8	
4.x8	
L.x2	
6.x1	
1.x16	

# Step2



J.x4	
7.x1	
8.x1	
3.x4	
2.x4	

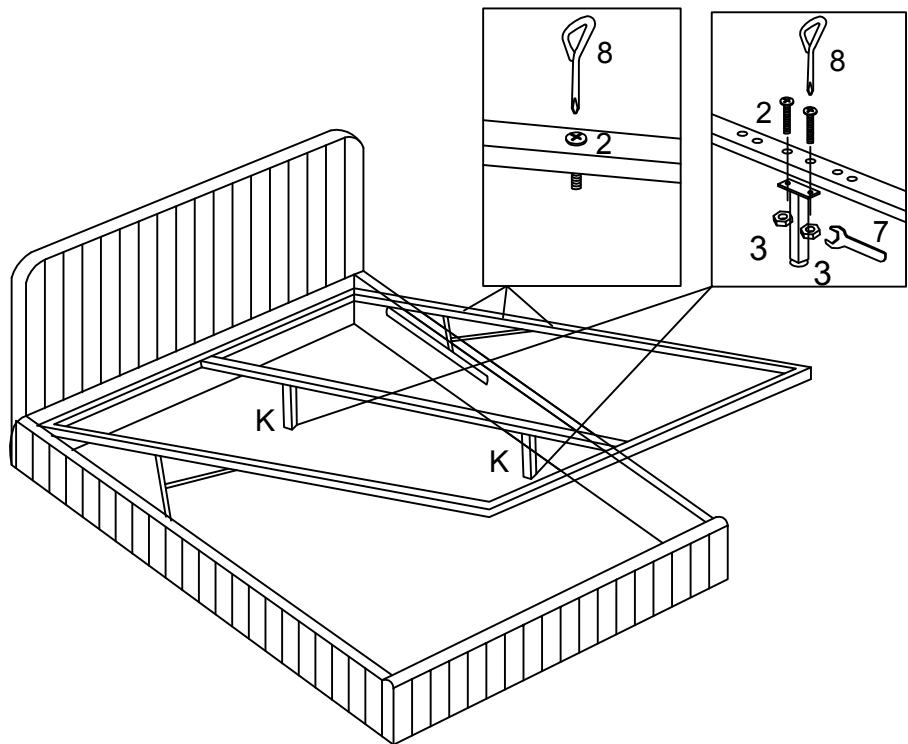
# Step3



8.x1



# Step4



K.x2



7.x1



8.x1



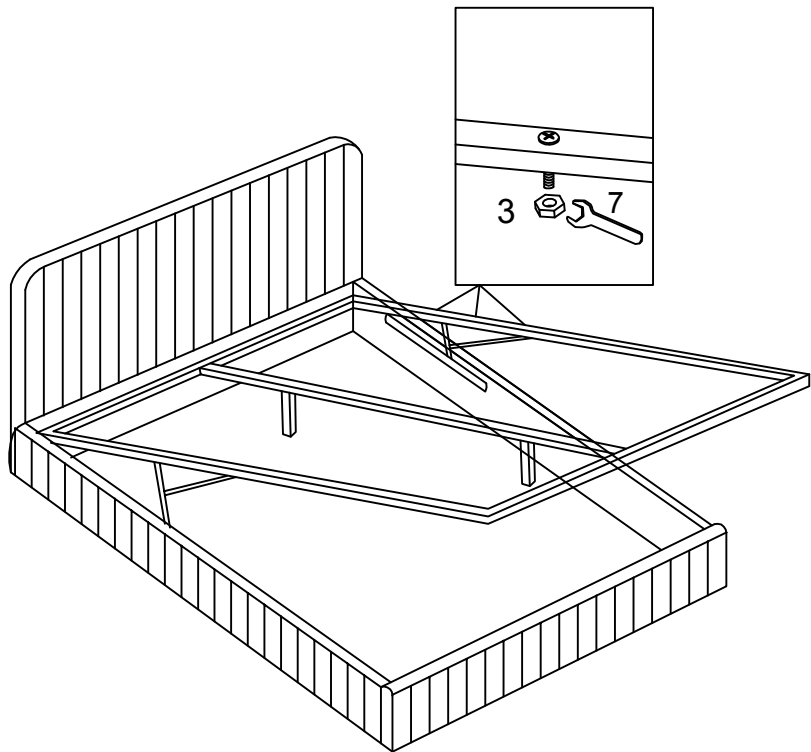
3.x4

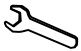



2.x10

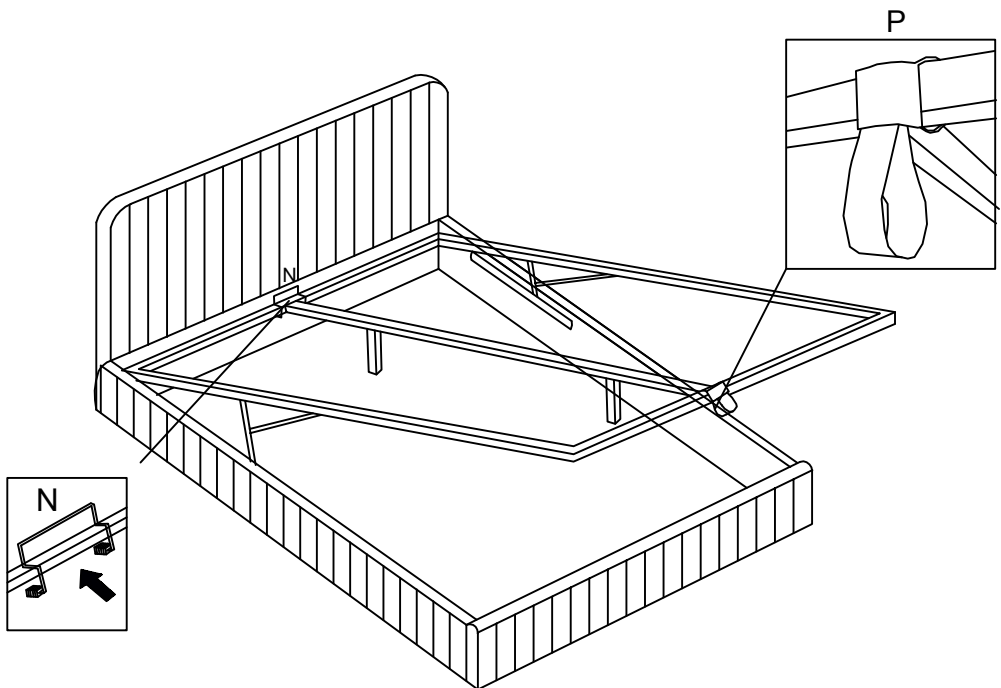




# Step5



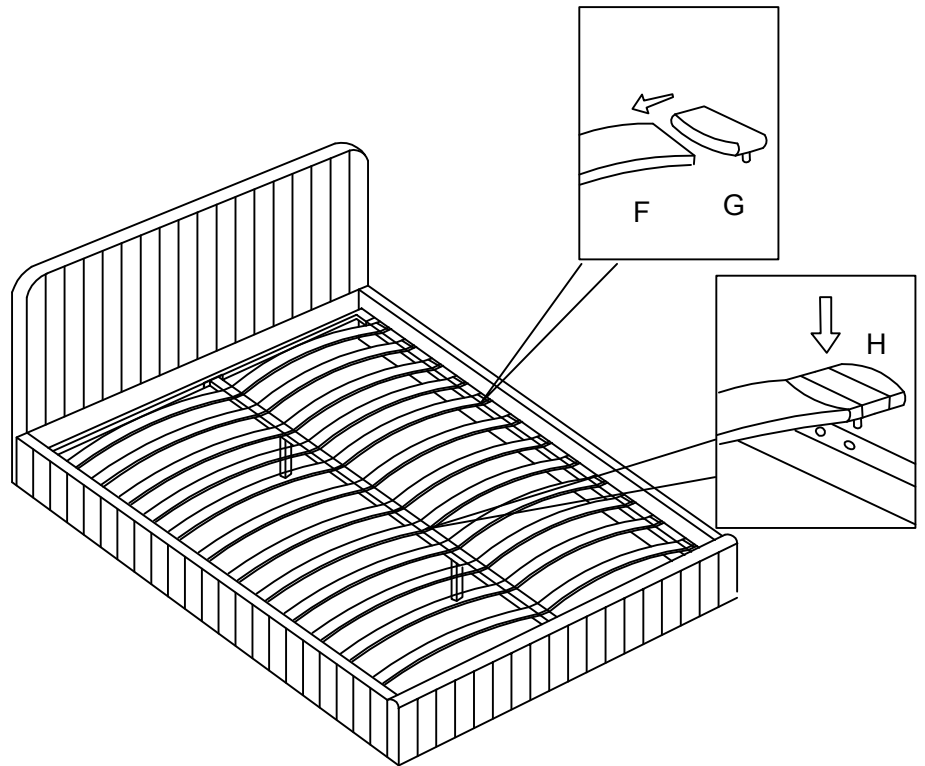
7.x1	
3.x6	




# Step6



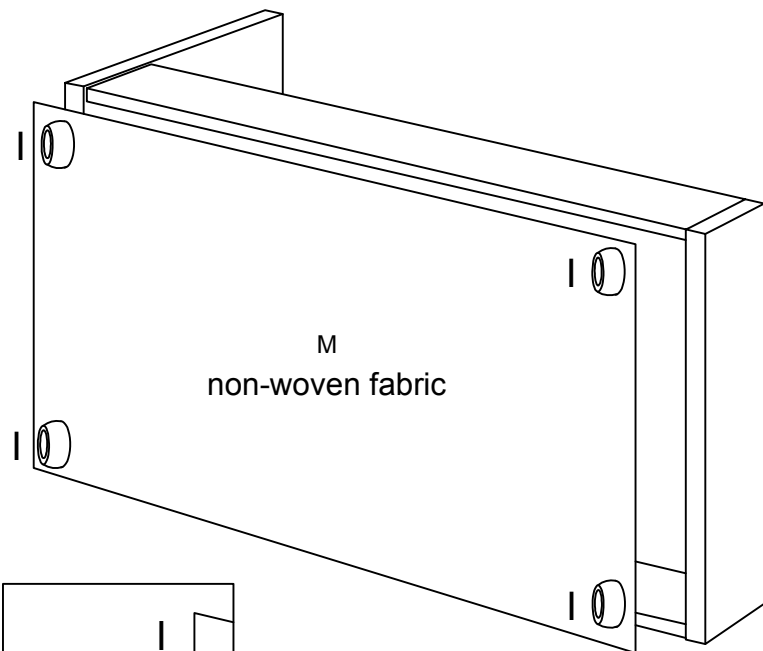
P.x1	
N.x1	




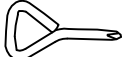
# Step7

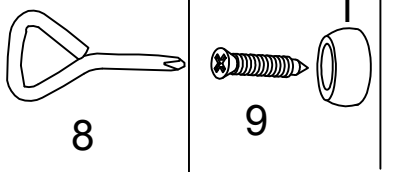


F.x30	
G.x30	
H.x15	

# Step8



9.x4	
M.x1	
I.x4	
8.x1	



Stick the non-woven fabric on bottom and then assemble the 4 foot