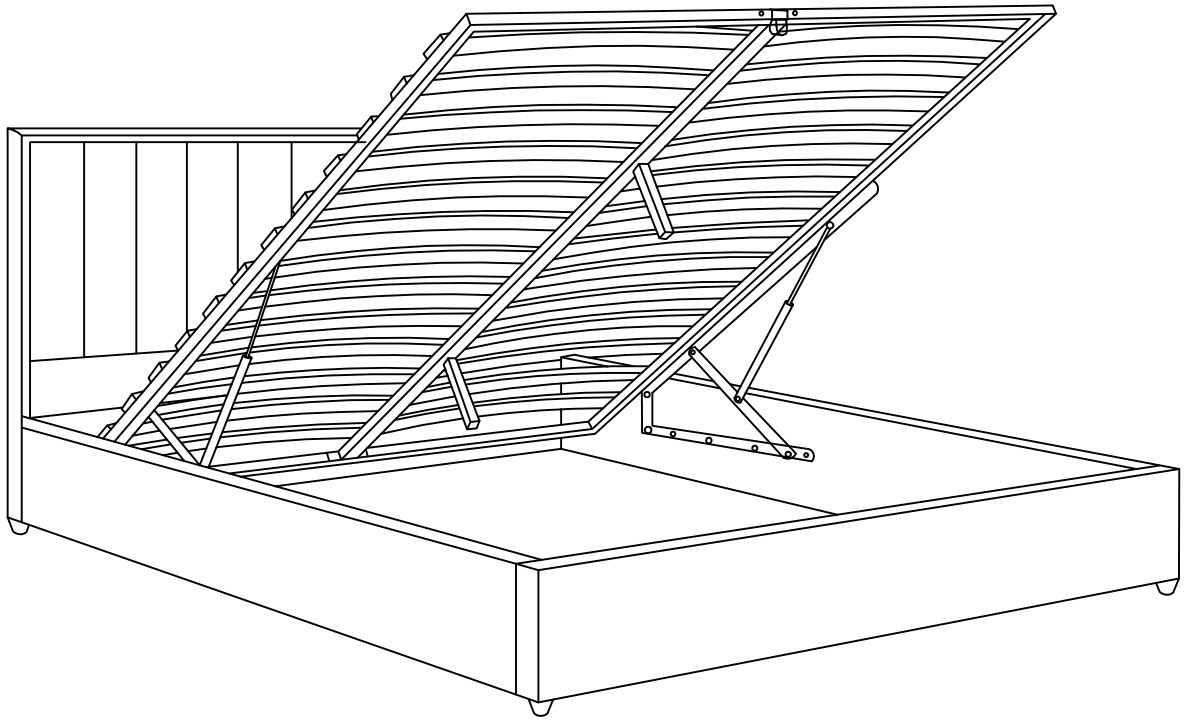
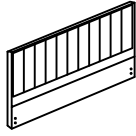
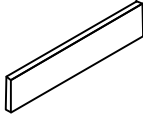
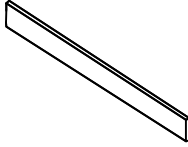
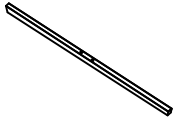





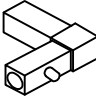
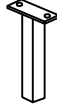
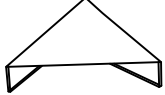
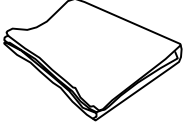


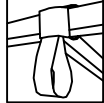


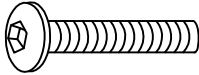
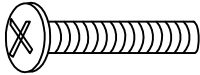



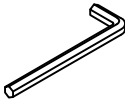
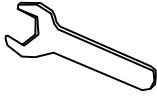
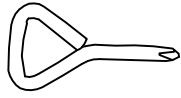

ASSEMBLY INSTRUCTIONS



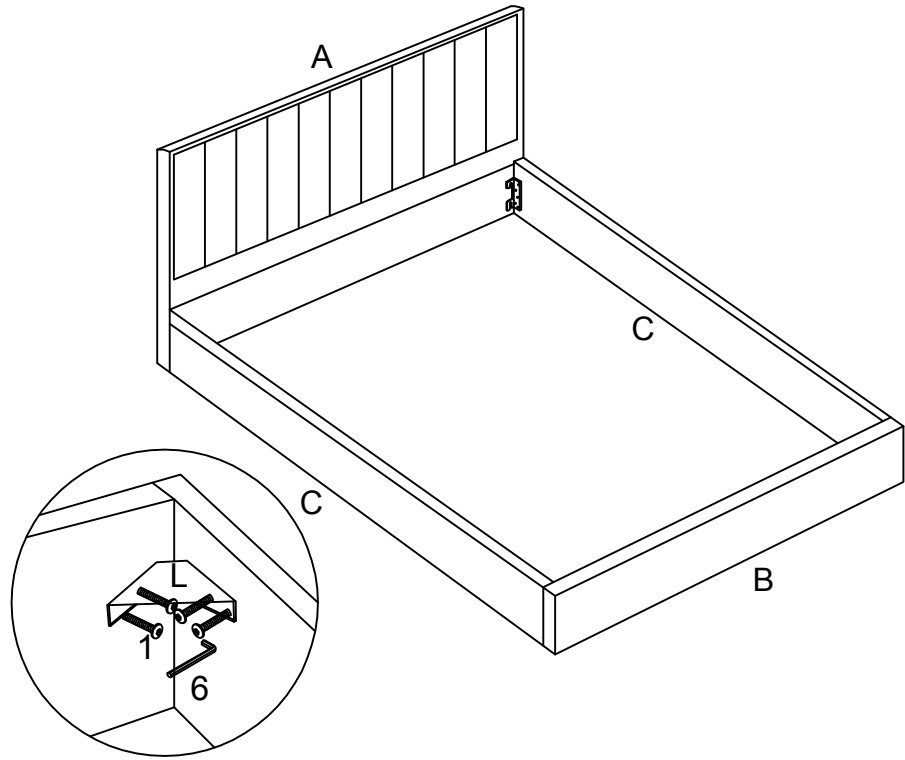
Parts List

A HEAD BOARD 1PC 	B FOOT BOARD 1PC 	C SIDE RALL 2PCS 	D BEDSTEAD RAIL 2 SETS 
E BEDSTEAD RAIL 2 SETS 	F SLAT 3 0 PCS 	G Single Plastic Cap 3 0 pcs 	H Double Plastic Cap 15pcs 
I LEG 4 PCS 	J 4 PCS 	K Support Leg 2 PCS 	L 2 pcs 
M Non-woven fabrics 1pc 	N 1 PCS 	O Center Support Bar 1pc 	P Digging rope 1PC 

Hardware List

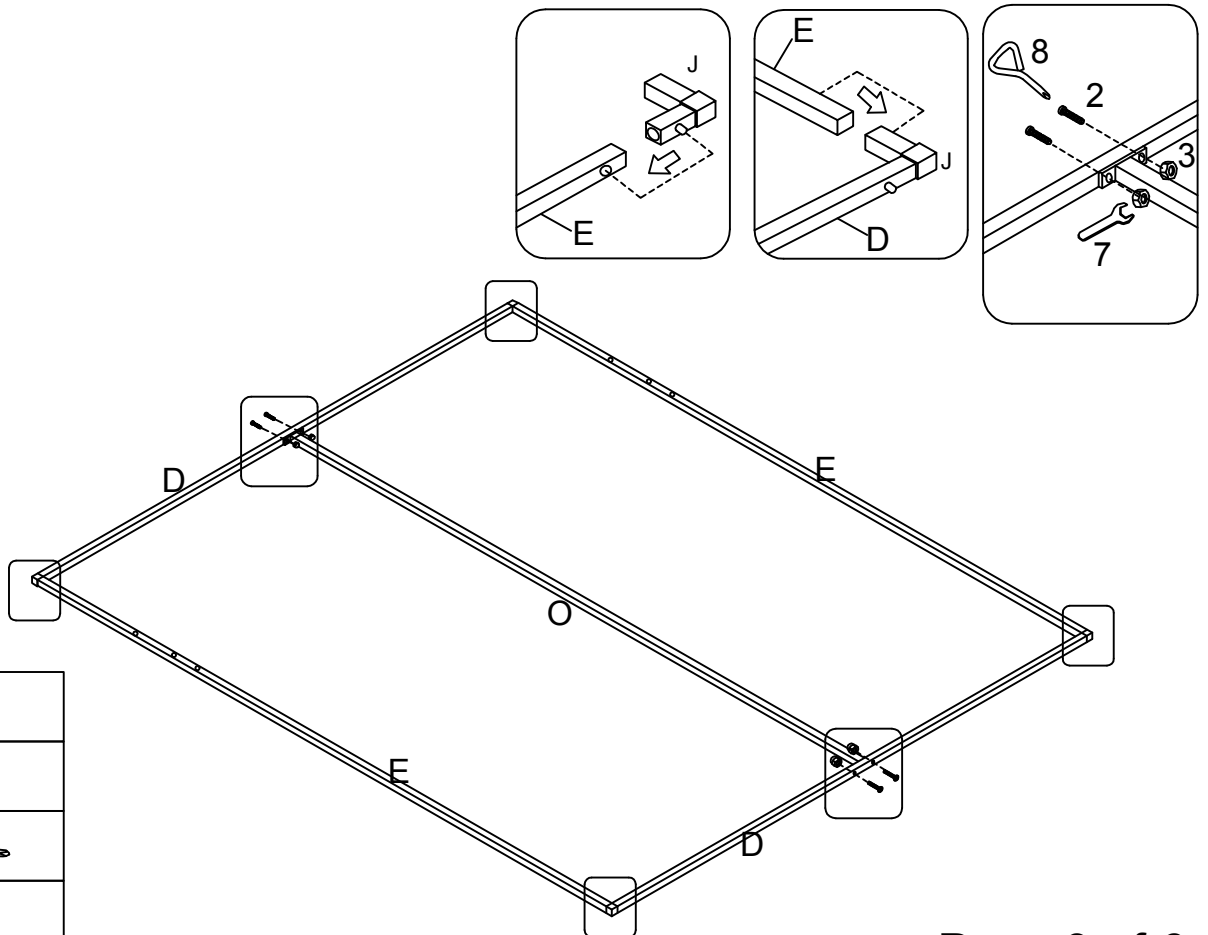
1 M8*30 x16 PCS 	2 M8*40 x 14 PCS 	3 14 pcs 	4 8 pcs 
5 8 pcs 	6 M5 x1 PC 	7 1 pcs 	8 1 pcs 
9 M4*40 x 4 PCS 			

Step1



5.x8	
4.x8	
L.x2	
6.x1	
1.x16	

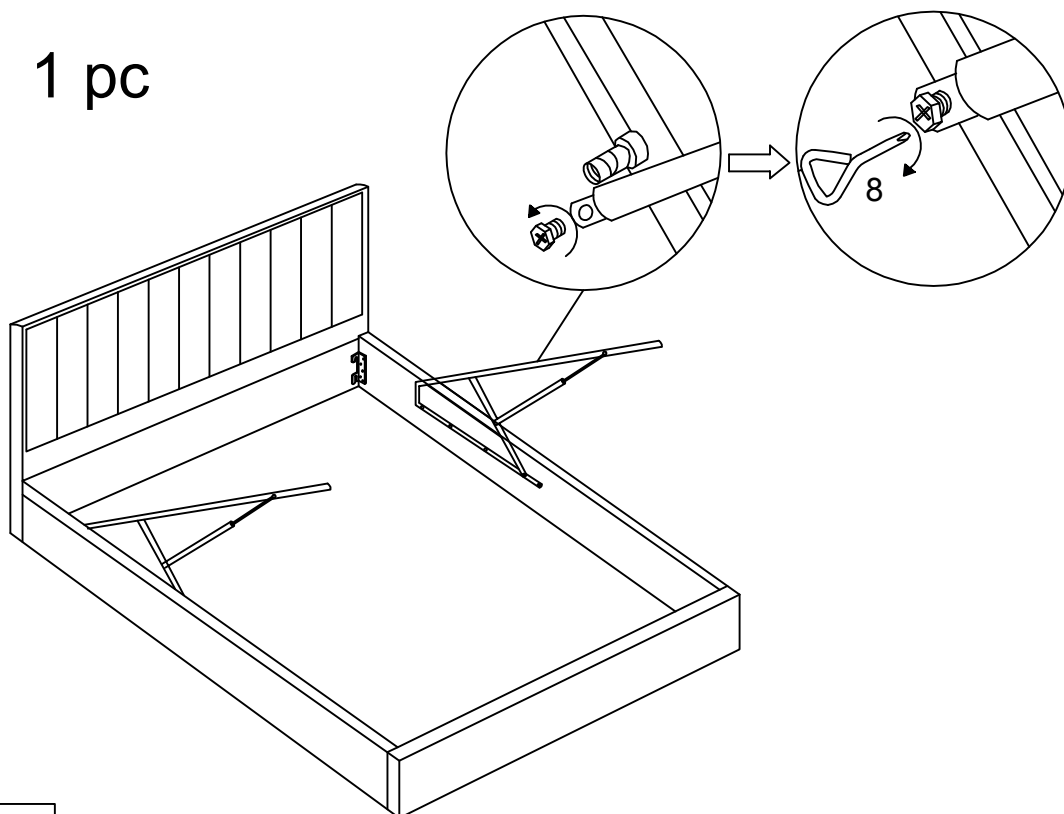
Step2



J.x4	
7.x1	
8.x1	
3.x4	
2.x4	

Step3

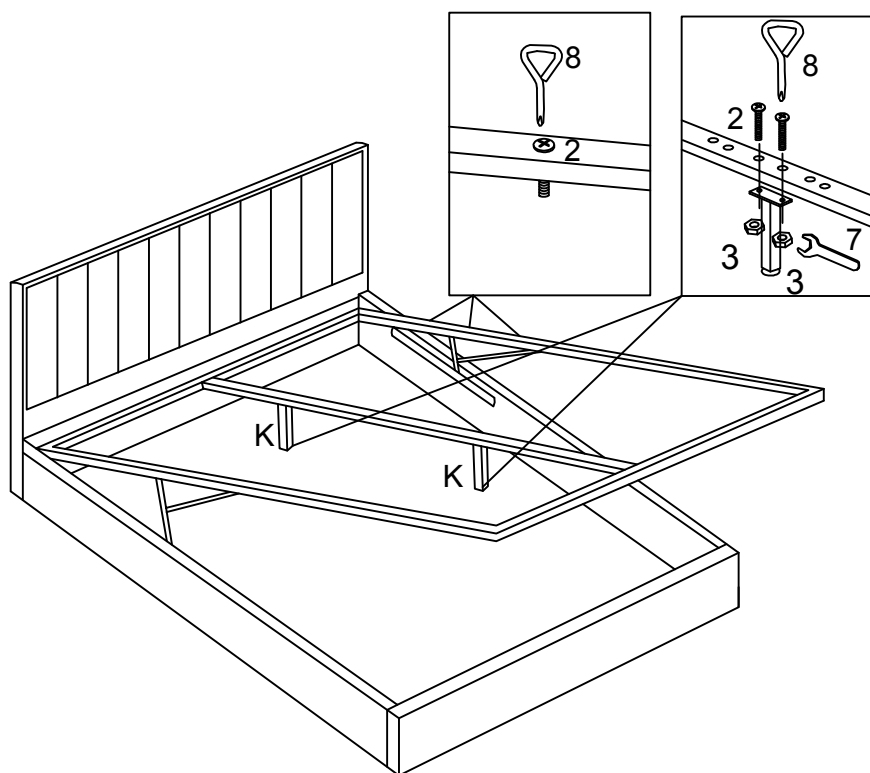
8  1 pc



8.x1



Step4



K.x2



7.x1



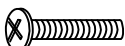
8.x1



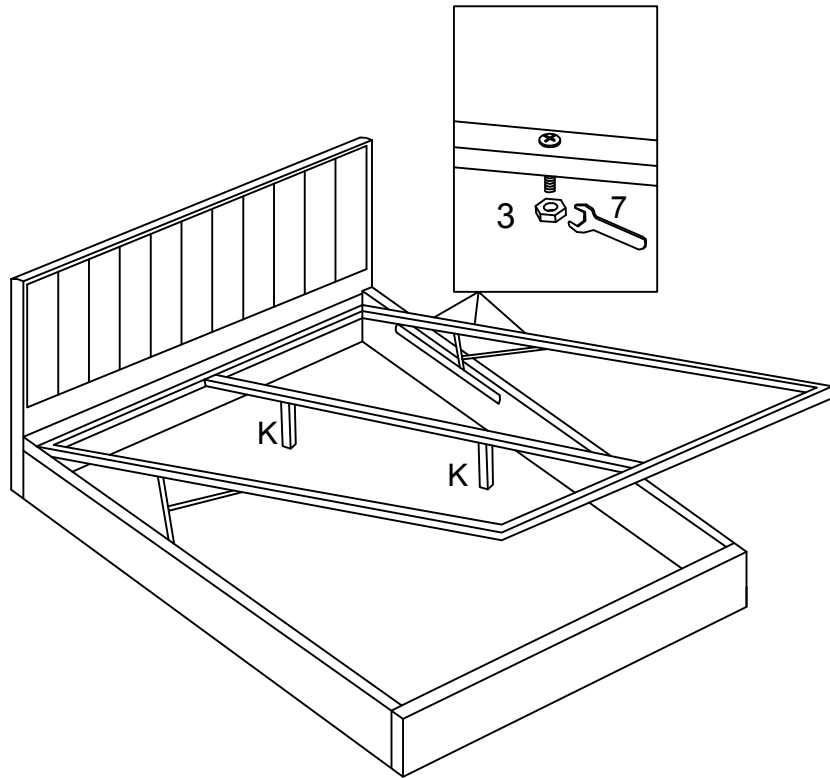
3.x4





2.x10

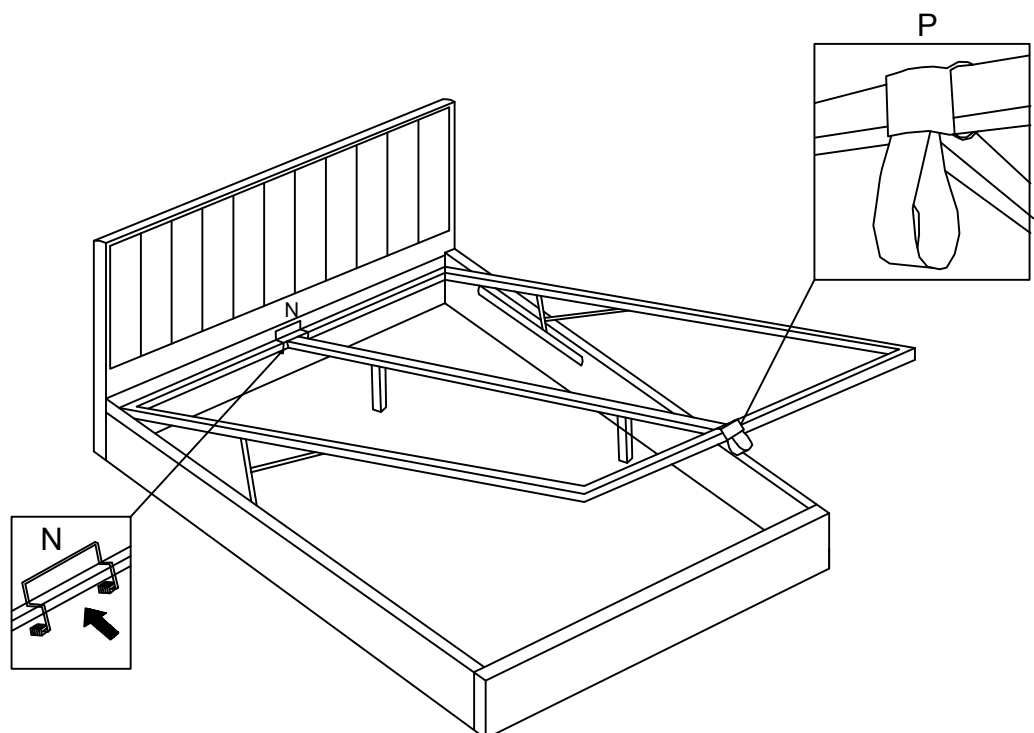




Step5



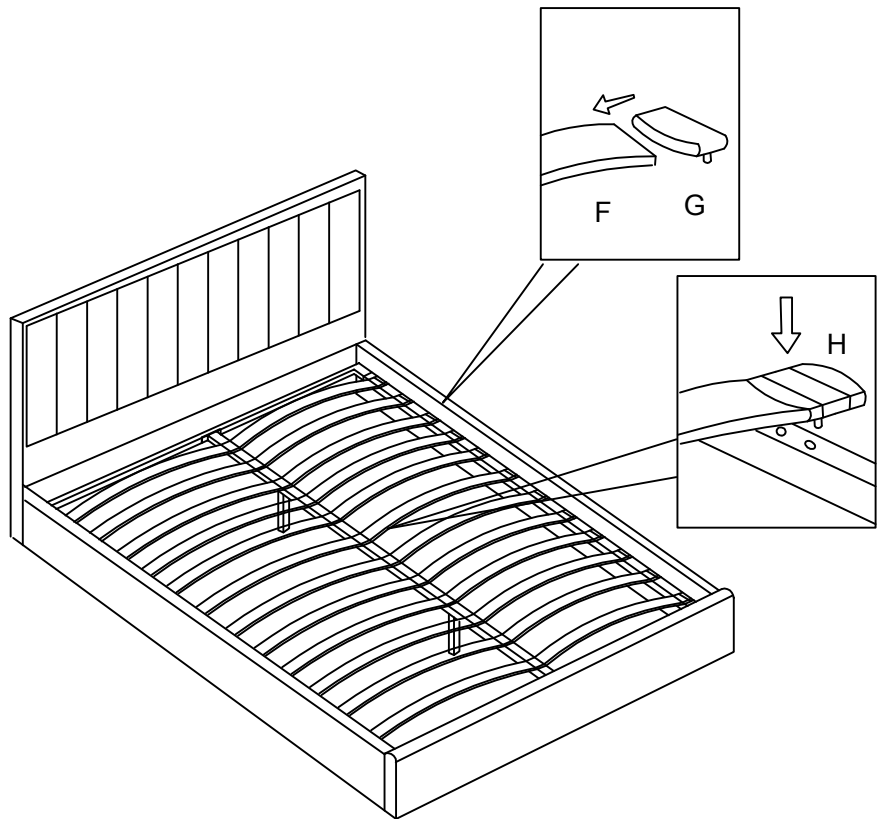
7.x1	
3.x6	

Step6



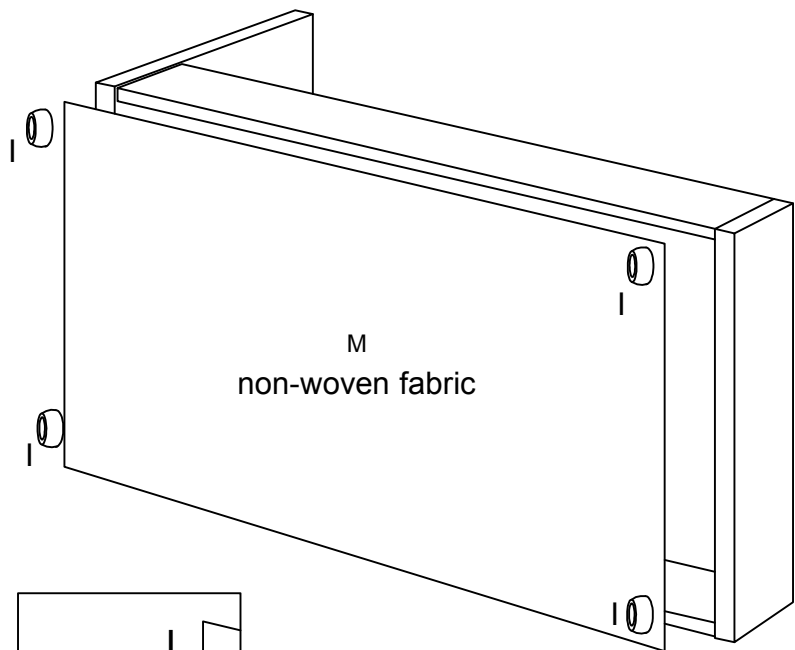
P.x1	
N.x1	

Step7

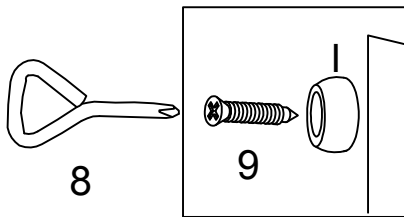


F.x30	
G.x30	
H.x15	

Step8



9.x4	
M.x1	
I.x4	
8.x1	



Stick the non-woven fabric on bottom and then assemble the 4 feet