

DIRECTIONS FOR USE

Professional liquefier

Refs 2867/2868/2869/2870/2871/2872



Non contractual picture

THOMAS APICULTURE

ZA de l'Évangile
321 rue Bernard de la Rochefoucauld
45450 Fay-Aux-Loges FRANCE

Tél: +33 (0)2 38 46 88 00

Fax : +33 (0)2 38 59 28 28

E-mail : contact@thomas-apiculture.com

www.thomas-apiculture.com

The professional liquefier is the ideal tool to liquefy crystallized honeys.

It is available in 6 models so as to be adapted for many various containers.

Honey is melted down thanks to a heating element.

Technical data

For diameters:

Ref. 2867 : 220 mm

Ref. 2868 : 250 mm

Ref. 2869 : 280 mm

Ref. 2870 : 330 mm

Ref. 2871 : 420 mm

Ref. 2872 : 530 mm

Weight:

Ref. 2867 : 2,8 kg

Ref. 2868 : 3,3 kg

Ref. 2869 : 3,4 kg

Ref. 2870 : 3,7 kg

Ref. 2871 : 4,9 kg

Ref. 2872 : 6 kg

Stainless steel

Single-phase 220 V

Before use

ATTENTION: Before connecting the switch plug, make sure the wiring is in accordance with current standards (differential circuit breaker, earth wire...).

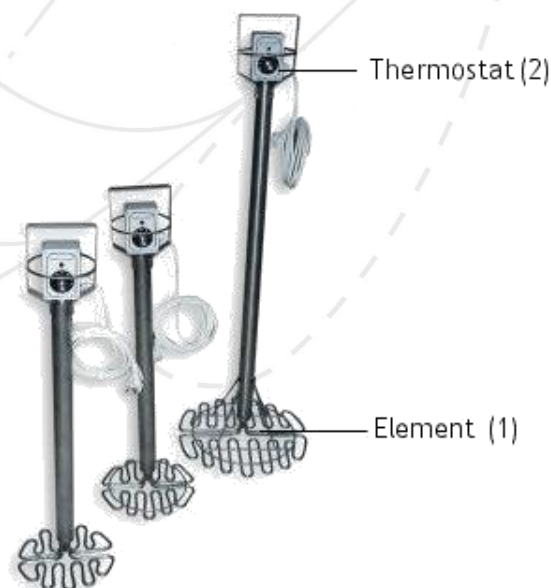
Check on voltage.

The machine may contain residual iron filings and chips: clean up before first use.

Keep away from combustible material and explosive zone.

Do not let the machine powered on when you don't use it.

Do not touch the element (1) when heating.



Functioning

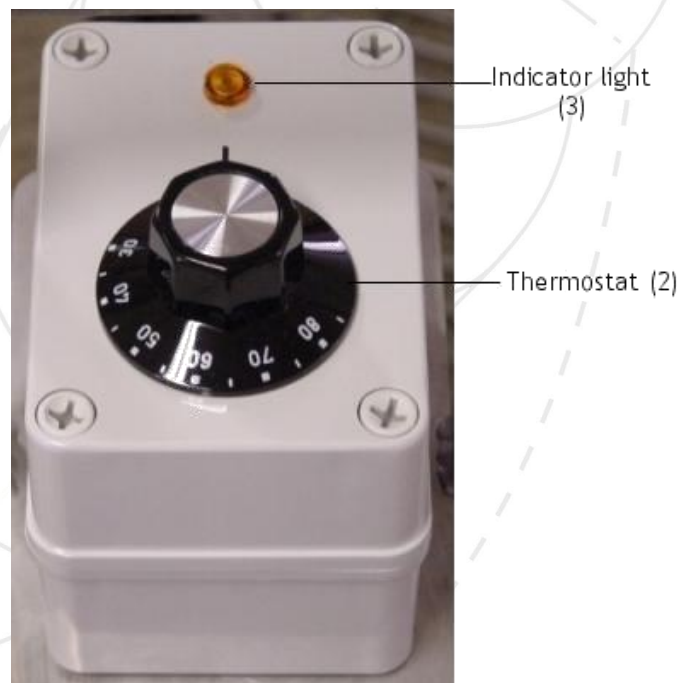
The professional liquefier has been specially designed to quickly and simply liquefy crystallized honeys. Each model is fitted with an element (1) from 220 to 530 mm diameter. Choose a liquefier of a lesser diameter than the container (around 2 to 4 cm less).

Option :

Stainless steel support for liquefiers (Ref. 2220).

How to use

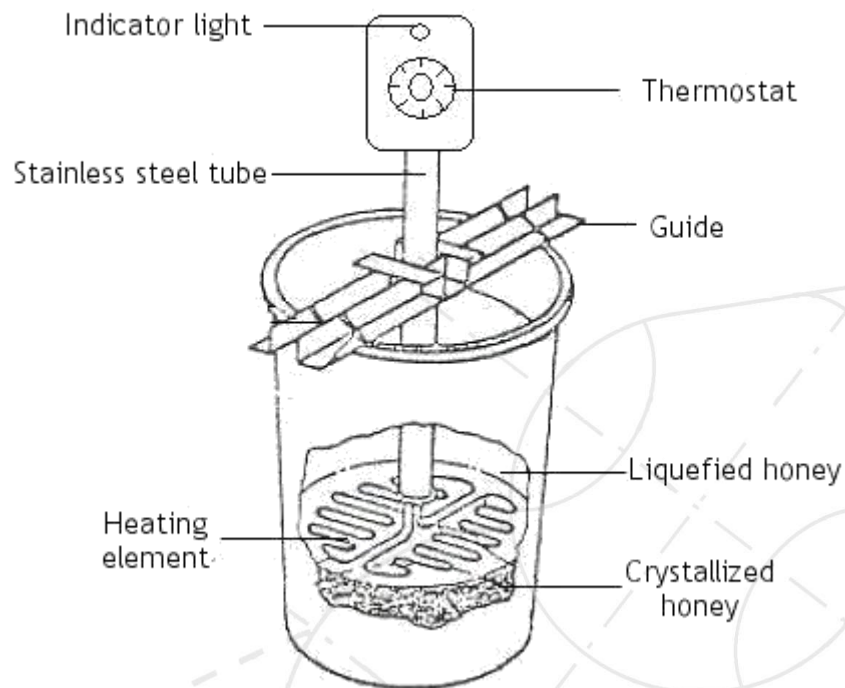
Gently plunge the liquefier into a container full of crystallized honey.
Fix the stainless steel support (option).
Connect the machine.
Adjust the thermostat (2): the indicator light (3) comes on and the element (1) starts to heat up.
The indicator light goes out once the element is at required temperature.
When the temperature reduces, the thermostat (2) automatically starts again and the indicator light (3) comes on. And so on, all along the process.



Care and maintenance

ATTENTION: Disconnect the switch plug before care and maintenance. Protect the electric parts while cleaning. Clean up with hot water after each use. Preferably store in a dry place.

Non contractual documentation. Data can be modified without notification.

Diagram*Problems - Solutions*

ATTENTION: Disconnect the machine before maintenance.

Problem	Possible solutions
The element can't heat up	<ul style="list-style-type: none"> - Check on connection. - Check on the electric state (possible power failure). - Check the connector is well insert in the control box. - Check that the thermostat (2) is not adjusted on 0. - Turn the thermostat (2) on and check that the indicator light (3) comes on.

If problems persist, contact our after-sales service:

**After-sales service:**

Weekdays

00 33 2 38 46 88 00

8.00 AM – 12.00

2.00 PM – 5h30 PM

e-mail: contact@thomas-apiculture.com